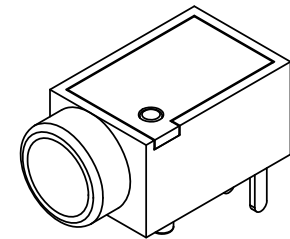
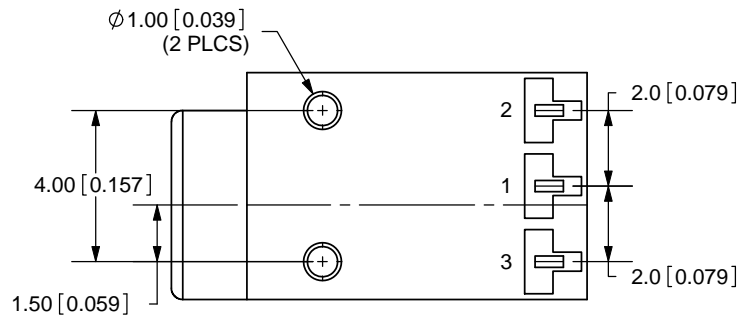
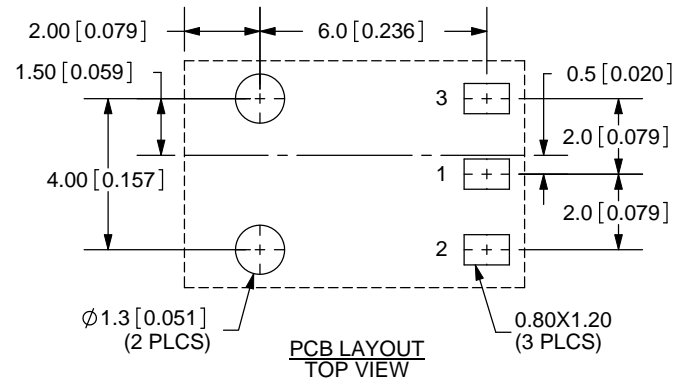
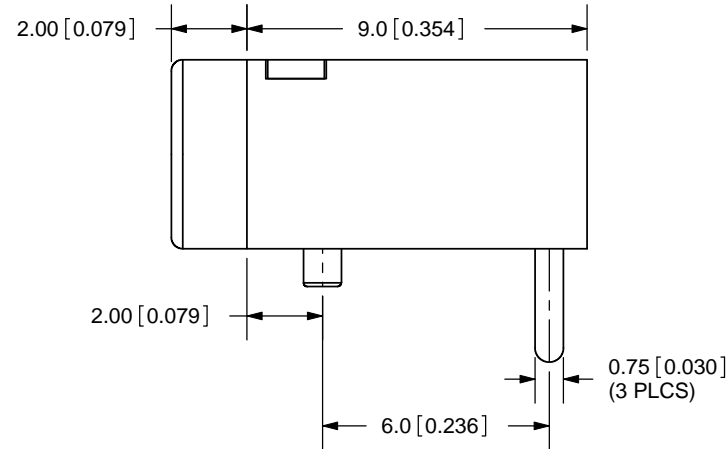
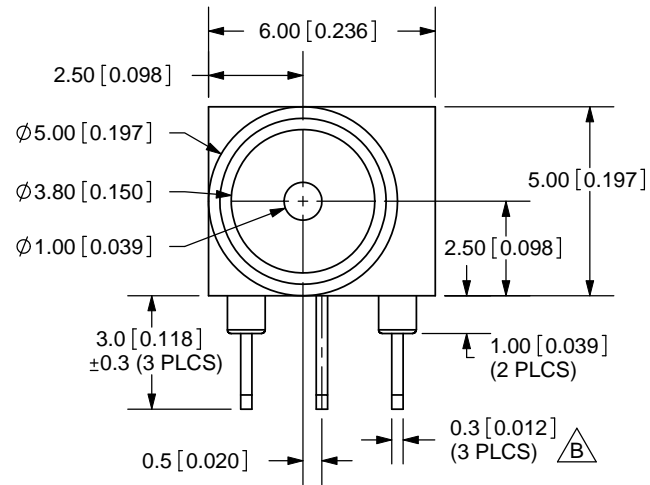


| REV. | DESCRIPTION | DATE |
|------|---------------------|-----------|
| A | NEW DRAWING | 7/30/2007 |
| B | added pin dimension | 6/11/2008 |



SCALE: 3:1

TOLERANCE:
X.X±0.2mm
X.XX±0.1mm
X.XXX±0.05mm



| MODEL NO. | PJ-040CH |
|-----------|----------|
| SCHEMATIC | |

CENTER PIN DIAMETER 1.0mm Dia.

SPECIFICATIONS:
RATING: 16V DC @ 3.5A
CONTACT RESISTANCE: 50m OHMS MAX
INSULATION RESISTANCE: 100M OHMS MIN: 500V DC
VOLTAGE WITHSTAND: 500V AC R.M.S. FOR 1 MINUTE
LIFE: 5,000 CYCLES

| | MATERIAL | PLATING |
|------------|--------------|---------|
| CENTER PIN | Brass | Silver |
| TERMINAL 1 | Brass | Silver |
| TERMINAL 2 | Copper Alloy | Silver |
| TERMINAL 3 | Brass | Silver |
| BODY | PA66 | |

20050 SW 112th Ave.
Tualatin, OR 97062
Phone: 503-612-2300
800-275-4899
Fax: 503-612-2383
Website: www.cui.com

| | | |
|----------------------|--------------|--------------------|
| TITLE: DC POWER JACK | | REV: B |
| PART NO. PJ-040CH | | UNITS: MM [INCHES] |
| DRAWN BY: ZRJ | APPROVED BY: | SCALE: 5:1 |

PC FILE NAME:
PJ-040CH

COPYRIGHT 2008 BY CUI INC.